

ATC[®]
SCHNITZER

-Fitting Instructions-
Superbike Handlebar
Conversion
- F 800 S -



Part No.: S50800640406

General Notes!



AC Schnitzer Superbike Handlebar Conversion

Important Note!

Read these fitting instructions completely before beginning the installation work.

AC Schnitzer is not liable for damage caused by incorrect installation!

Check goods for completeness and correctness before starting work.

Later complaints cannot be accepted.

These fitting instructions are intended exclusively for use by authorised AC Schnitzer or BMW dealers. The instructions are directed in all cases at specialist staff trained in BMW vehicles with the corresponding specialist knowledge and tools.

WARNING:

Work on the handlebars carries a safety risk. Faulty work can have serious consequences. Do not carry out the work unless you are confident in these fields of work!

Before installation:

For installation, the vehicle must be adequately secured against falling over or rolling away..

For this we recommend the use of the main stand or an original BMW assembly stand. Keep children and animals away from the working area.

Risk of accident from hanging elements and electrical short circuit! Therefore before starting work, remove all jewellery (chains, watches, rings etc.).

After installation:

After completing the work, carry out a test ride. After the test ride, check all bolt connections for firm seat, and all moving parts for adequate clearance. Also check the function of the electrical system and the theft protection systems. The tightening torques must be observed!

Fitting Time (1 unit = 5 minutes)

The fitting time is around 24 units, which may vary depending on condition and equipment level of the vehicle.(This figure is a recommendation only and is not binding.)

Painting time (1 unit = 5 minutes)

Not applicable.

Tools Required

- BMW Special tool (see pictures)
- Electric drill and bit Ø3mm
- Torx driver Tx10 Tx25 Tx30
- Straight slot screwdriver
- Crosshead screwdriver
- Allen key SW 4 SW 6
- Open-ended / ring spanner SW 21
- Ratchet and socket SW 27
- Torque wrench
- Universal or pipe pliers
- Long nose pliers
- Side cutters
- Cutter
- Cable ties or similar
- Thread lock (e.g. Loctite)

Contents



AC Schnitzer Superbike Handlebar Conversion – F 800 S –

Chapter	Page
1. <i>Components supplied</i>	4
2. <i>Removing the standard handlebar bridge</i>	5
3. <i>Fitting the AC Schnitzer Superbike handlebars</i>	12
4. <i>Final check on work performed</i>	15

Fitting Instructions



AC Schnitzer Superbike Handlebar Conversion – F 800 S

1.1 Components Supplied (* = Parts preassembled on delivery, check torque!) (Pictures = representative images)



Montageanleitung Nr.: S50800640406 / Stand: 16.10.2009

AC Schnitzer - Motorrad Technik - Neuenhofstraße 160 - D - 52078 Aachen - Tel. 0241/5688 -300 Fax -135

Fitting Instructions

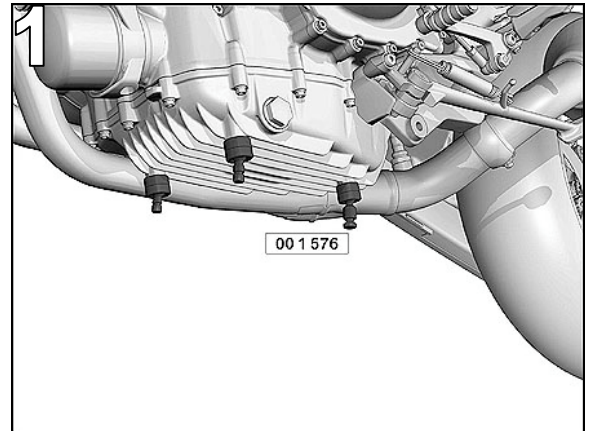


AC Schnitzer Superbike Handlebar Conversion – F 800 S –

2. Removing the Standard Handlebar Bridge

Fit motorcycle stand

- Attach adapter (no. 00 1 576) to engine (Fig. 1).
- Attach lifting jack (no. 00 1 571) with engine holder (no. 00 1 576) and extension (no. 00 1 575) to the engine (Fig. 2).
- Erect machine carefully, at the same time align the jack and raise the motorcycle to a secure position.

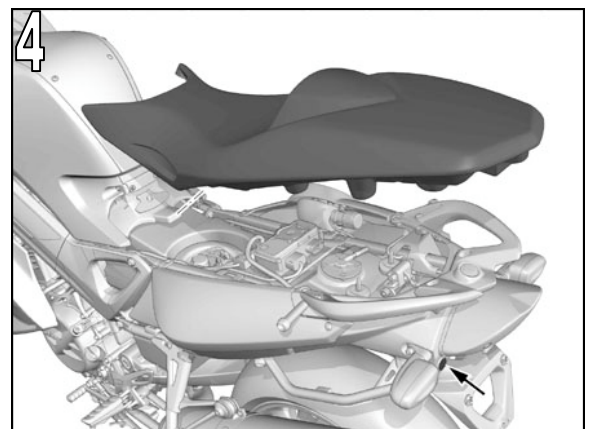
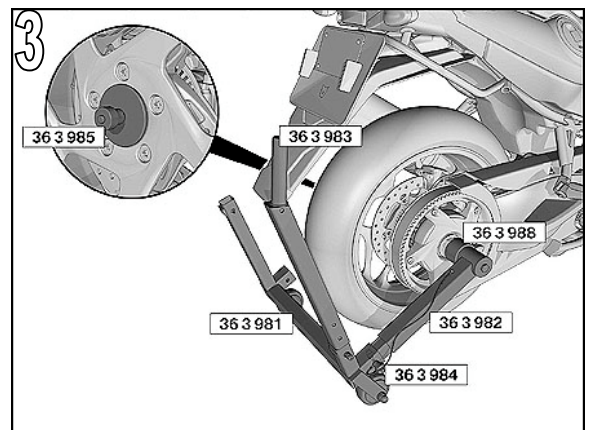
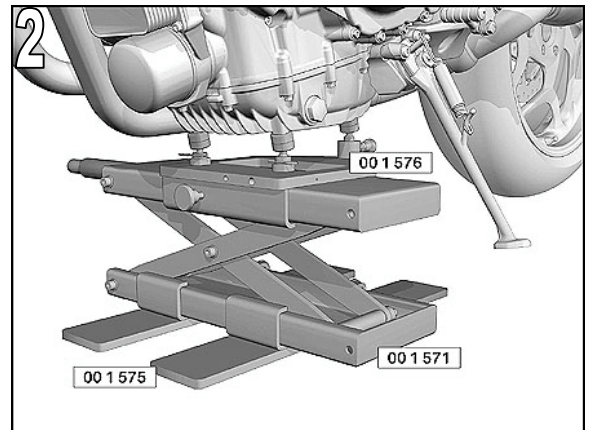


Note!

The machine can tip sideways and fall over!!! Secure machine against tipping over!!!

Put bike onto the rear wheel stand (Fig. 3)

- Press locking knob and remove locking bolt (no. 36 3 985).
- Push axle holder (no. 36 3 982) onto base stand (no. 36 3 981) and secure with locking pin (no. 36 3 984).
- Push holder shaft (no. 36 3 988) onto axle holder.
- Set desired height of rear wheel stand using the bolts.
- From the right, push the rear wheel stand into the rear axle.
- From the left, insert locking bolt (no. 36 3 985), pressing the locking knob.
- Insert lever (no. 36 3 983).
- Erect machine, at the same time press the lever down until the motorcycle is vertical and the handle of the rear wheel stand rests on the floor.
- Release seat lock (arrow) with vehicle key, and remove (Fig. 4).



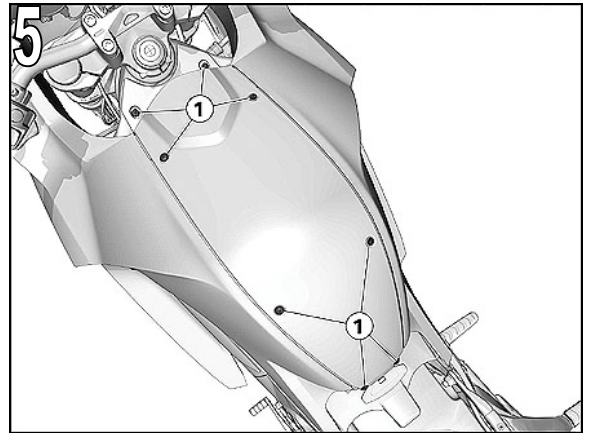


Fitting Instructions

AC Schnitzer Superbike Handlebar Conversion – F 800 S –

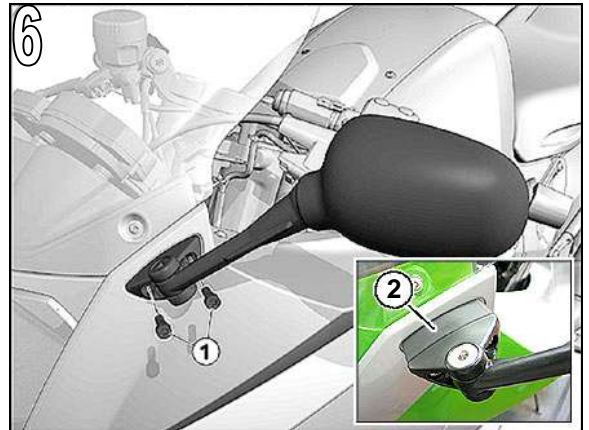
2. Removing ... (cont'd.)

- Remove screws (1) and remove centre panel part (Fig. 5).



Remove both mirrors

- Remove screws (1) and remove mirrors (Fig. 6).

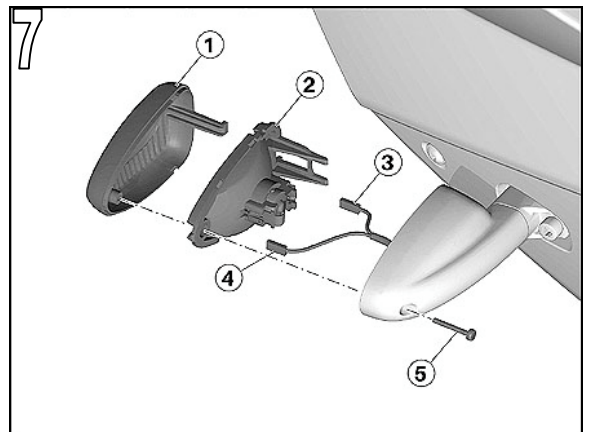


Fitting note!

Mount the mirror extension (2) supplied under the mirror base, and attach mirror/extension using the cap head bolts M4x50mm supplied (Fig. 6).

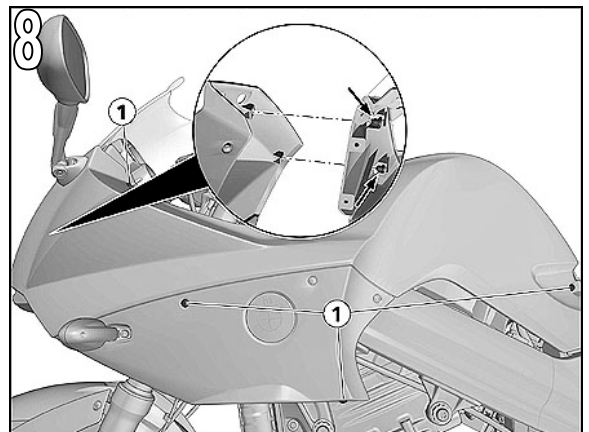
Remove both flashers

- Remove screw (5) from lens (1) and pull this out of the flasher housing on the screw side. Remove reflectors (2) from the housing, separate red/blue wire (4) and brown wire (3) from the reflectors. Thread wires to the inside (Fig. 7).



Remove left panel side part

- Remove screws (1), unclip panel side part at front (arrow), thread flasher wire to the inside and remove panel (Fig. 8).





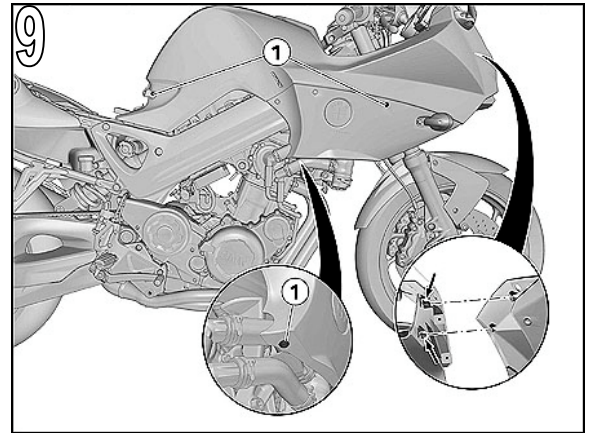
Fitting Instructions

AC Schnitzer Superbike Handlebar Conversion – F 800 S –

2. Removing ... (cont'd.)

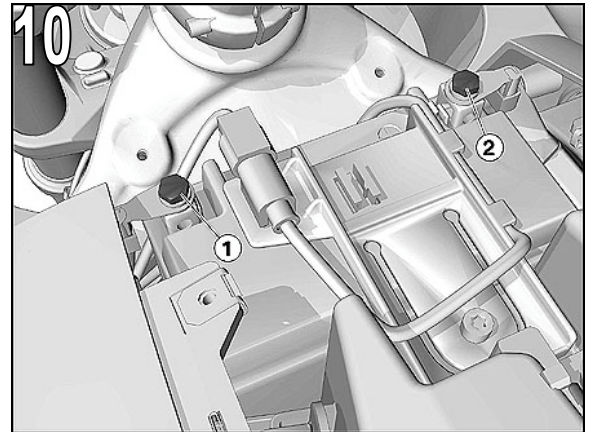
Remove right panel side part

- Remove screws (1), unclip panel side part at front (arrow), thread flasher wire to the inside and remove panel (Fig. 9).



Disconnect battery

- Switch off ignition.
- First separate the battery negative terminal (1) and then the positive terminal (2) (Fig. 10).

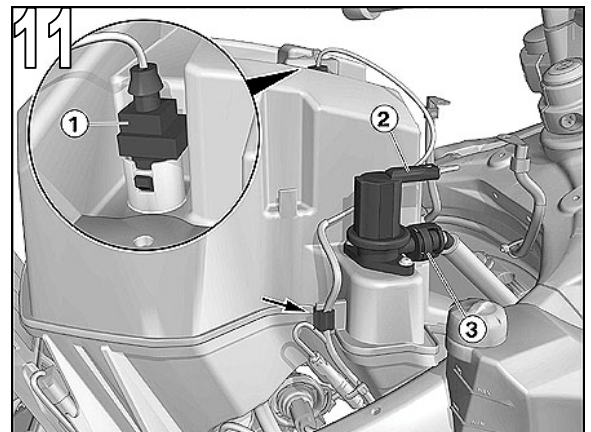


Note!

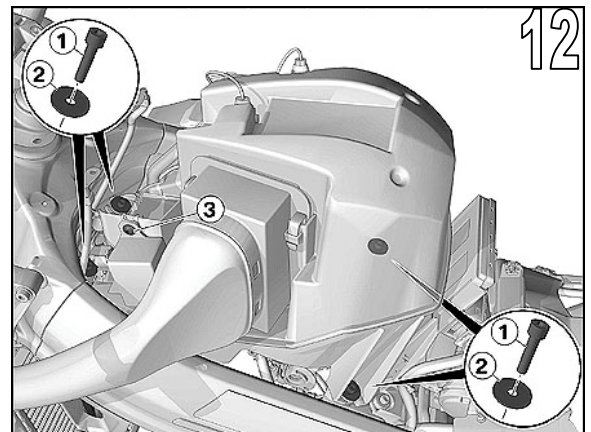
Separating in the wrong order increases the risk of short-circuit. Follow this sequence!

Remove intake silencer

- Separate plug (1) and plug (2). Pull off fast coupling (3) and unclip cable (arrow) (Fig. 11).



- Remove fixing (3) and detach starter relay from intake silencer. Remove bolts (1) and washers (2) and carefully withdraw intake silencer upwards (Fig. 12).





Fitting Instructions

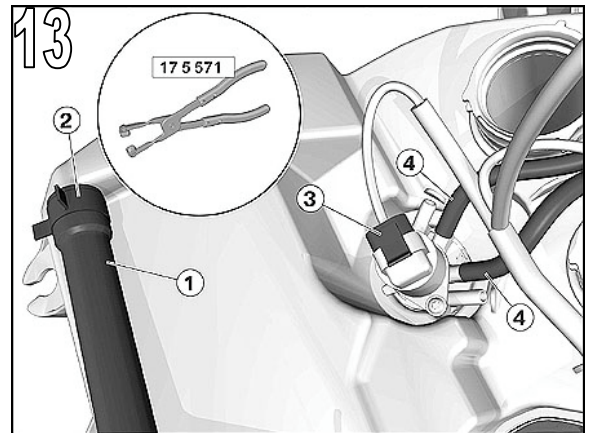
AC Schnitzer Superbike Handlebar Conversion – F 800 S –

2. Removing ... (cont'd.)

- Pull plug (3) and hoses (4) from idle control. Open hose clip (2) with pliers (no. 17 5 571) and pull hose (1) from intake silencer (Fig. 13).

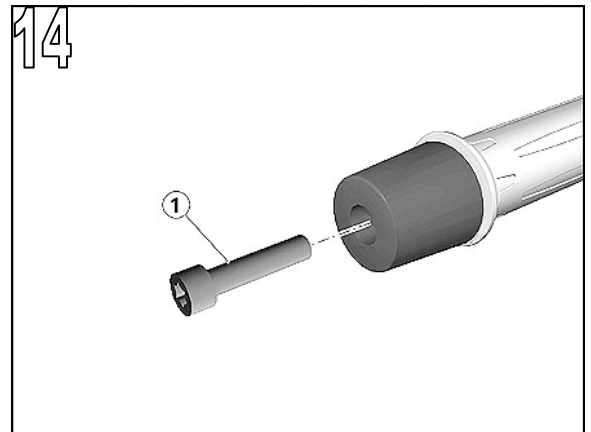
Note!

Cover / seal throttle valve connectors!



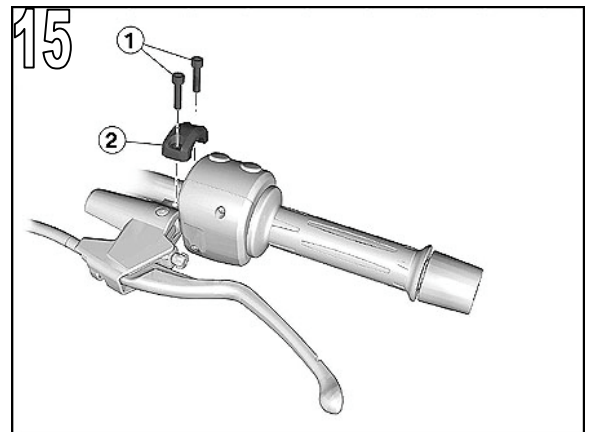
Remove both handlebar weights

- Release screw (1) and remove handlebar weight (Fig. 14).



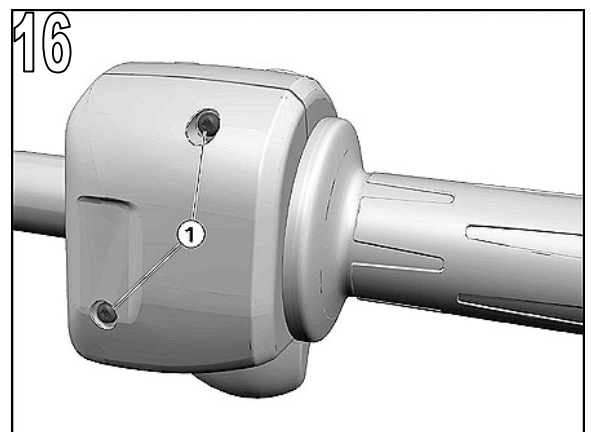
Release hand clutch control

- Release screws (1), remove clamping block (2) and lay grip unit to the front (Fig. 15).



Remove combi-switch cover

- Release screws (1) and remove cover (Fig. 16).





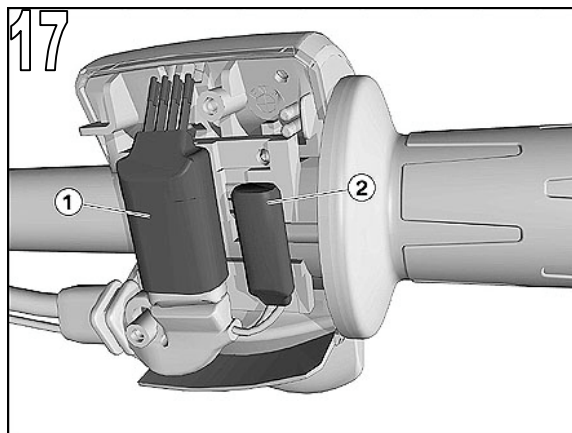
Fitting Instructions

AC Schnitzer Superbike Handlebar Conversion – F 800 S –

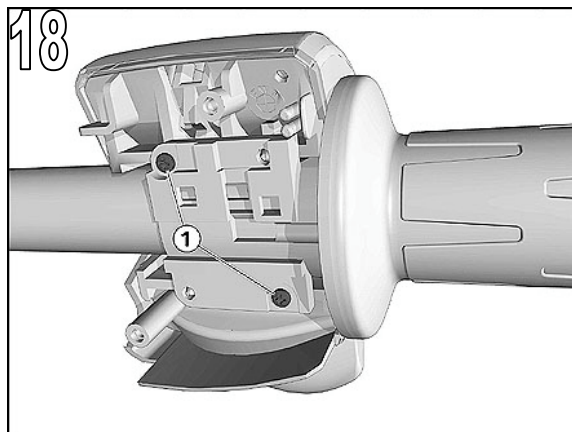
2. Removing ... (cont'd.)

Remove left grip

- Pull off plug (1) of combi-switch and where applicable plug (2) for heated grip (Fig. 17).



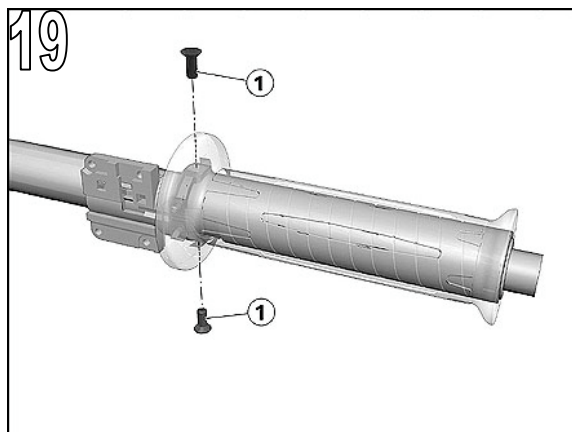
- Release screws (1) and remove combi-switch (Fig. 18).



Fitting Note!

Tightening torque 1 Nm

- Release screws (1) and pull off grip (Fig. 19).

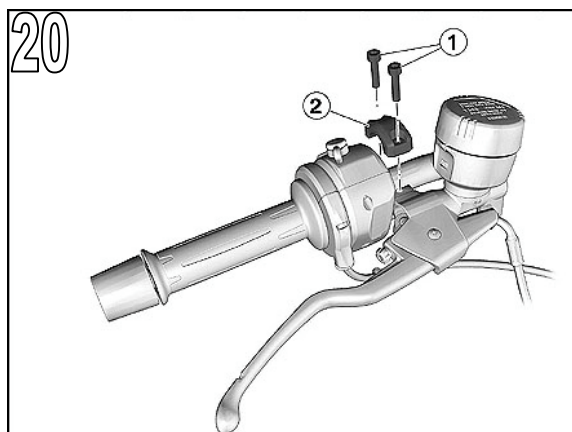


Fitting note!

Move grip to desired position, mark fixing points on the AC Schnitzer handlebar (2x) and drill a 3 mm hole at each. Attach grip using the standard screws (1).

Remove hand brake control

- Release screws (1), remove clamping block (2) and lay grip unit to the front (Fig. 20).



Warning!

Deposit brake fluid reservoir securely. Immediately remove any spilt brake fluid! If necessary bleed brake system at the end of work!



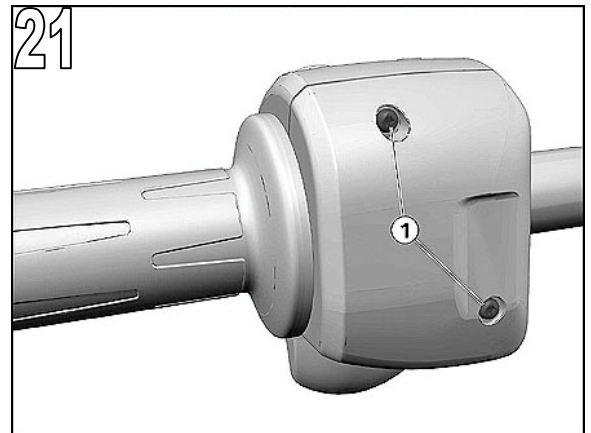
Fitting Instructions

AC Schnitzer Superbike Handlebar Conversion – F 800 S –

2. Removing ... (cont'd.)

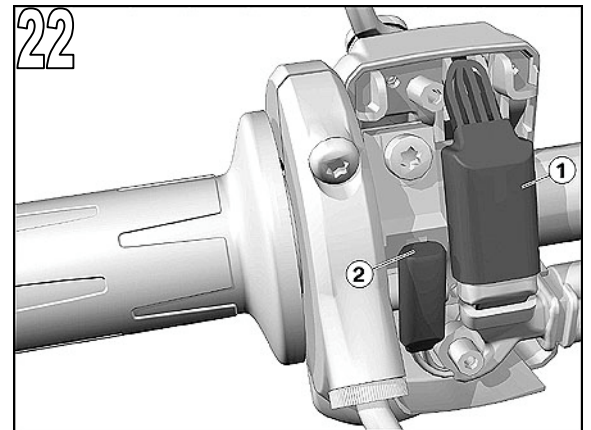
Remove combi-switch cover

- Release screws (1) and remove cover (Fig. 21).

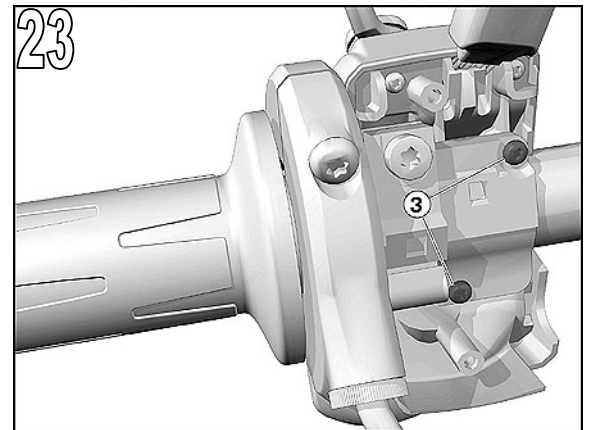


Remove throttle control

- Pull off plug (1) of combi-switch and where applicable plug (2) for heated grip (Fig. 22).



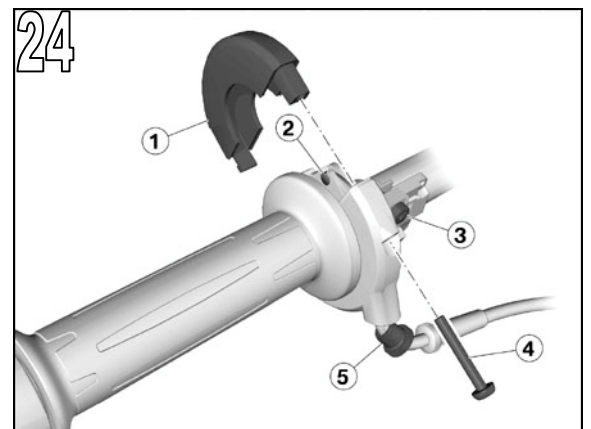
- Release screws (3) and remove combi-switch (Fig. 23).



Fitting Note!

Tightening torque 1 Nm

- Release fixing screw (5); remove screw (4); remove cover (1); detach / unthread throttle cable (2); release screw (3) and pull off throttle control (Fig. 24).



Fitting note!

Tightening torque screw (3) 6 Nm

Tightening torque screw (4) 2 Nm



Fitting Instructions

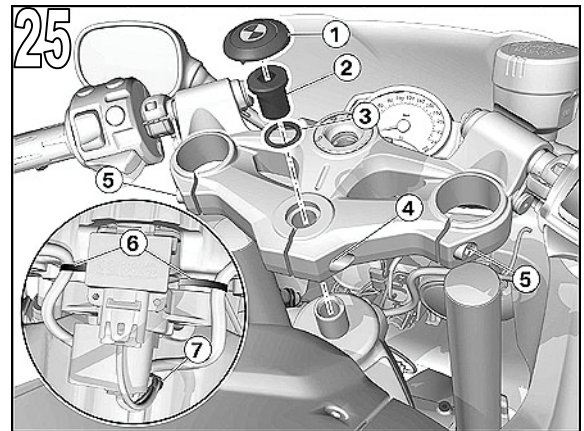
AC Schnitzer Superbike Handlebar Conversion – F 800 S –

2. Removing ... (cont'd.)

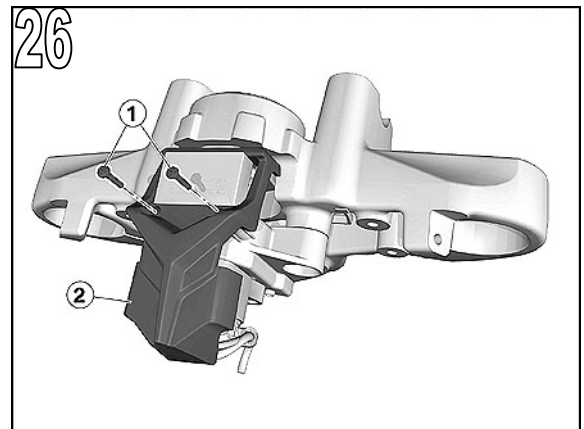
Replace fork bridge

- Separate cable ties (6) and (7); loosen clamping bolt (5); remove cover cap (1) and remove adjustment screw (2) with washer (3) (Fig. 25).

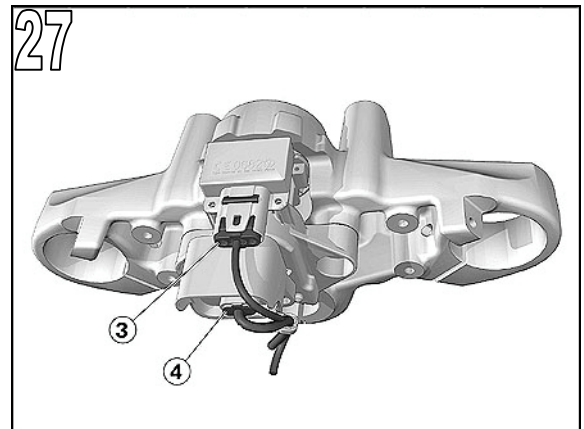
- Withdraw fork bridge upwards.



- Remove screws (1) and remove cover (2) (Fig. 26).



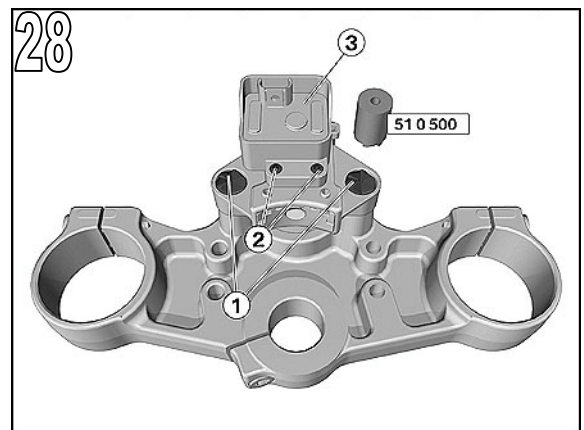
- Separate plug (3) ring antenna and plug (4) ignition light switch (Fig. 27).



Remove ring antenna and ignition/steering lock housing

- Remove screws (2) and ignition switch (3). Pre-drill manifold bolts (1) with BMW special tool (bore bush – no. 51 0 500) and then drill out until the bolt head comes loose (Fig. 28).

- Remove ring antenna with ignition/steering lock housing.





Fitting Instructions

AC Schnitzer Superbike Handlebar Conversion – F 800 S –

3. Fitting - AC Schnitzer Superbike Handlebars

- Position ring antenna with ignition/steering lock housing (1) on the spacer bush (2) and fasten to the AC Schnitzer fork bridge (4) using the cap head bolts M8x45mm and washers Ø6.4x16mm (3) supplied (Fig. 29). Insert bolts with thread lock (e.g. Loctite)!
Tightening torque 25 Nm.

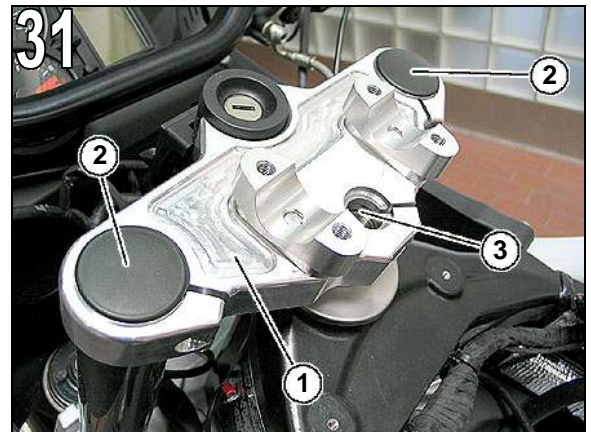


Note!
 For insurance reasons, it is essential that the socket head of the fixing bolts (3) of the ignition/steering lock is rendered useless with a 7mm drill!!!

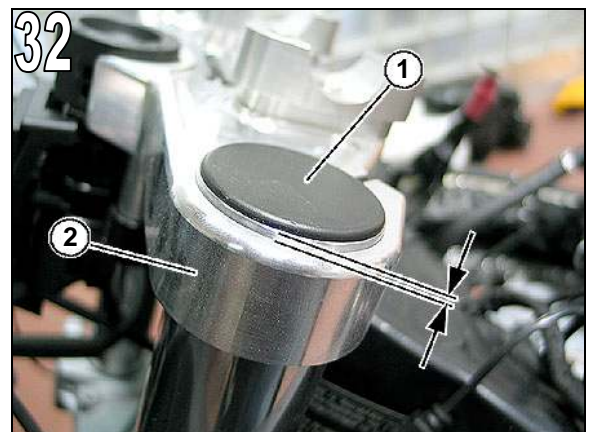
- Push spacer (1) onto steering shaft (2) of the fork bridge (Fig. 30).
 - Lay brake line behind fork bar!



- From above, push the AC Schnitzer fork bridge (1) over the fork bar (2) and insert to the stop/spacer (3) (Fig. 31).



- Push upright tube (1) into the AC Schnitzer fork bridge (1) until a projection (A) of 2mm is reached (Fig. 32).





Fitting Instructions

AC Schnitzer Superbike Handlebar Conversion – F 800 S –

3. Fitting ... (cont'd.)

- Install the standard adjustment bolt (1) with washer (2) (Fig. 33).



Set steering head bearing play!

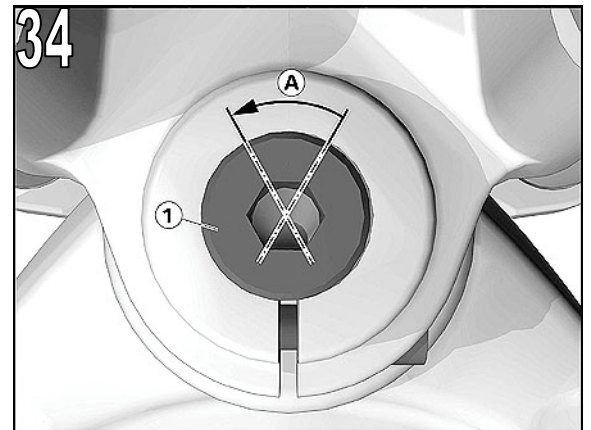
- Front wheel must be in contact with the ground.

- Tighten adjustment screw (1) to pretension (Fig. 34).

Tightening torque 25 Nm (pretension)

- Turn fork twice from stop to stop, leave at the left stop.

- Turn adjustment screw (1) back by the angle shown (A) (Fig. 34).



Return angle 60°

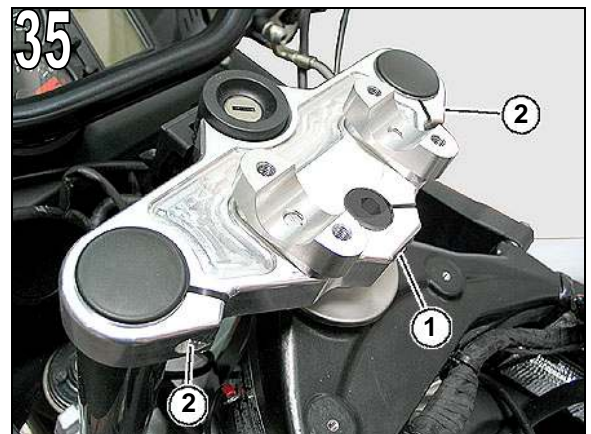
Final torque 10 Nm

- Tighten clamp in steering shaft (1) (Fig. 35).

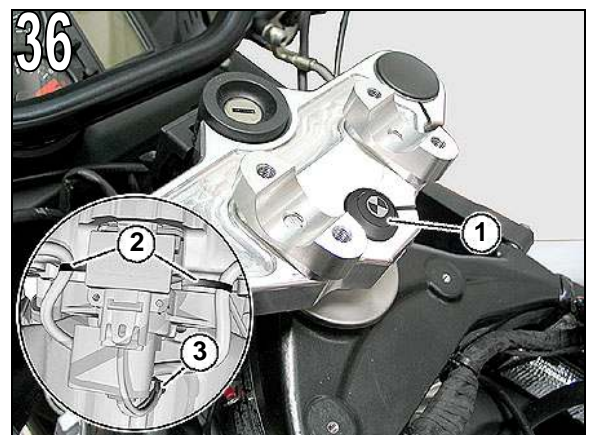
Tightening torque 25 Nm

- Tighten right and left clamping bolts (2) (Fig. 35).

Tightening torque 20 Nm



- Install cover cap (1) and attach cable with cable ties (2) and (3) (Fig. 36).





Fitting Instructions

AC Schnitzer Superbike Handlebar Conversion – F 800 S –

3. Fitting ... (cont'd.)

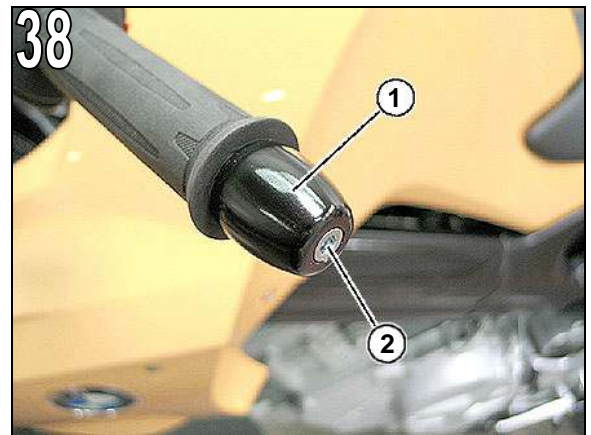
- Place AC Schnitzer handlebar (1) on the fork bridge in the desired position, adjust and fasten with the clamping blocks (2) and the cap head bolts M8x30mm (3) supplied (Fig. 34).

Tightening torque 20 Nm

Install grip, hand clutch control on left, hand brake control and throttle control, in reverse order (see Pages 8 to 10)!



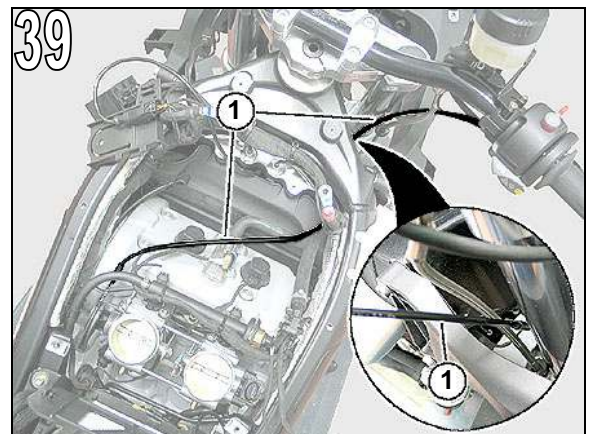
- Fit the handlebar end weights (1) supplied and attach with screw (2) (Fig. 55).



- Relay throttle cable (1) as shown (Fig. 39).

Note!

Throttle cable must be laid without stress. To check this, turn fork twice from stop to stop, and relay throttle cable if necessary!



Test/adjust throttle cable play

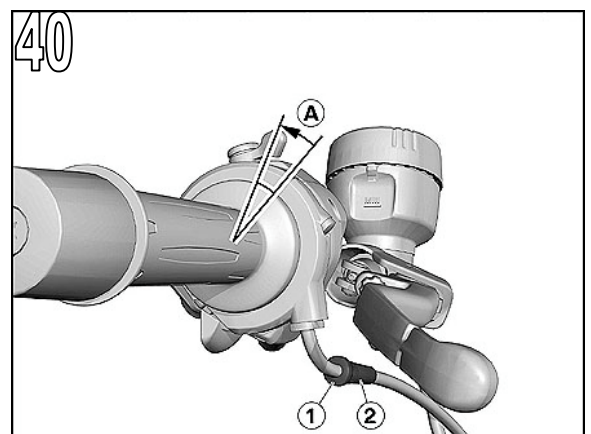
(Test/adjust throttle cable play with cold engine – max 35°C)

- In different handlebar positions, check the throttle cable play (A) at the throttle control and that the end stop of the throttle plate is reached (audible click) (Fig. 40).

Setting the throttle cable play (A):

at outer grip rubber diameter 3 to 4mm

- If the play at the throttle control is incorrect, or the end stop at the throttle plate is not reached, release lock nut (1), adjust throttle cable play with adjustment screw (2) and retighten lock nut (Fig. 40).



- Check full load stop.



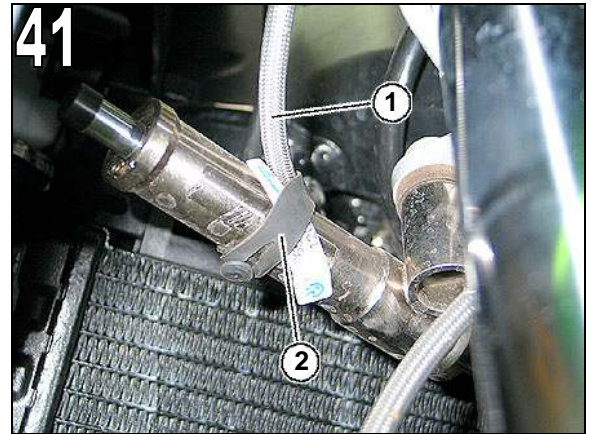
Fitting Instructions

AC Schnitzer Superbike Handlebar Conversion – F 800 S –

3. Fitting ... (cont'd.)

Fit intake silencer, battery, side panel parts, flashers, mirrors, centre panel part and seat in reverse order (see Pages 5 to 8).

- Attach brake line (1) to steering damper using the rubber strap (2) provided, as shown (Fig. 41).
- Cover screw heads using the caps (1) supplied (Fig. 42).
- Affix the AC Schnitzer sticker (1) on the fork bridge (Fig. 43).



4. Final check of work performed

Check or perform the following points:

- Ensure that the objective of the work has been achieved.
- Ensure that all operating media are filled up and the fluids have the correct level; if necessary bleed brake system to BMW Repair Instruction.
- Ensure that all screw connections released are correctly tightened again.
- Ensure that the lighting and signalling system functions correctly and the vehicle is safe to ride.
- Ensure that all cables, wires and fluid lines are laid without stress.
- Set time on display.
- Carry out test ride.



Note!

After the test ride, check all bolts for a firm seat. Function test the steering lock!

- Point out the modified seating position and driving behaviour to the customer!!



Subject to errors, technical developments and modifications!

AC[®] SCHNITZER



AC[®]
SCHNITZER
jenseits der Serie.